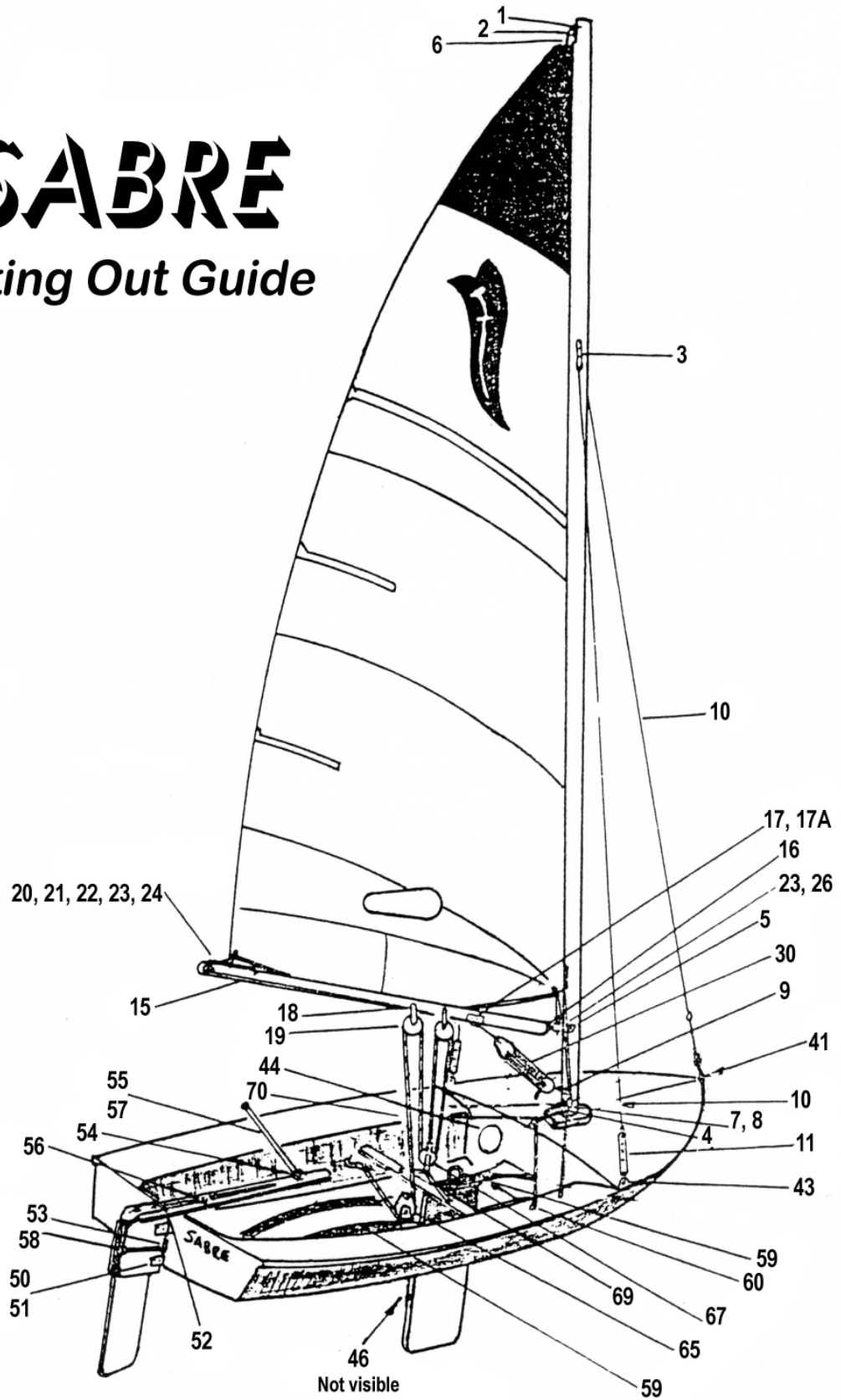


# FITTING OUT GUIDE

(Numbers below and in the rigging diagrams refer to items on the Fittings Purchase List)

# SABRE

Fitting Out Guide



## FITTINGS PURCHASE LIST

Item	Use/Description	Units	Part No		Fixings Quantity	Fixing Type	Remarks
			Ronstan	Other Suppliers			
<b>MAST</b>							
1	Mast Section	1		Alcan K4621 Comalco E11466 Keeley K-02			Keeley claims HiTemper 6082 alloy
2A	Turning Block at top of mast for wire halyard	1	RF453	Riley RM5	4	Rivets	Halyard must be run through sheave blocks 2 & 4 before swaging
2B	Turning block at masthead	1		Riley RM804	4	Rivets	For rope halyard
3	Tangs	3	RF43A	Riley RM92 or RM117	6	Rivets	Shrouds 10 may be spliced to tangs or attached by clevis pin
4A	Turning block at mast base for halyard tail.	1	RF453	Riley RM5	4	Rivets	For long wire halyard
4B	Turning block at mast base	1	RF568	Riley RM804	2 or 4	Rivets	For rope halyard or rope tail
5	Gooseneck	1		Goldspar G3 or Riley RM680	4	Rivets	Availability of G3 fitting uncertain. Goldspar replacement unsuitable.
6A	Halyard, flexible SS wire plus non-stretch cordage	1		5.0m x 1.6 flexible SS wire & 6.0m of 3mm cord			Thimble one end; soft eye other end. Thread through masthead sheave before swaging
6B	Halyard (all cord)	1		11.0m x 4mm non-stretch cord			Good non-stretch cord important.
7	Saddle	2	RF134	Riley RM571		Rivets	
8	Pulleys - <u>Option 1</u>	3	RF666 or RF661	Riley PYF400			
8a	(Swivel) - <u>Option 2</u>	4	RF2332 or RF573	Riley PYF400			
9	Block hanger	1	RF180 or RF181	Riley RM74	2	Rivets or screws	
10	Shrouds and forestay - stainless steel wire	3		2.5 or 3mm SS wire length to fit	3550mm eye to eye		Eyes to tangs (3) at one end & two to shroud adjusters or thimbles at the other; the third to thimble only Forestay may be longer (3575mm)
11	Vernier shroud adjusters	2	RF2331 or RF2330	Riley RM48C			Swage, pin or shackle to shrouds
12	2cm wood, ply or alloy plug for top of mast	1		Make your own			Keeley Marine have cast alloy plugs for top & bottom of mast, top one with sheave fitted for the halyard
12a	2cm wood, ply or alloy plug for bottom of mast	1		Make your own			lecon have epoxy/timber plugs
13, 14	Spare numbers						
<b>BOOM</b>							
15	Boom	1		Tube 51mm max OD x 1.6, 2 or 3mm thick	2130mm maximum length.		
16	Boom plug (to fit gooseneck)	1		Goldspar or Riley RM678			Contact SSAV for plastic type
17	Vang plate	1	RF604	Riley RM74 Holt Laser fitting Webbing strap	4		<u>Option 1.</u> Key & block to be swaged to 39mm wire strop <u>Option 2.</u> Block shackled to vang key
18	Block hangers	2	RF180 or RF 181	Riley RM47 Riley RM447 Harken Ti-Lite	8	Rivets	Attach blocks before fitting Use upper rivet holes only Use cord with Ti-Lite
19	Mainsheet on boom	2	RF40100 or	Riley PYF600			Max. sheave diam. 64mm
20	Outhaul towel rail	1			2	Bolts & Nuts	Available from lecon (J Dixon)
21	Outhaul saddle	1	RF134	Riley RM572	2	Rivets	
22	Outhaul becket pulley	1	RF574	Riley PYF401			
23	Outhaul Pulley	3	RF571	Riley PYF400			
24	Outhaul 'D' shackle	1	RF150	Riley RM532			
25	Outhaul control cord	1.8 metre					Low-stretch cord
26	Outhaul 5mm bow shackle	1	RF613	Riley RM532			
27	Outhaul double pulley	1	RF81 or RF417	Riley PYF402			
27A	Saddle	1	RF134	Riley RM572	2	Rivets	
28, 29	Spare number						
<b>BOOM VANG</b>							
31	Twist shackle	1	RF628	Riley RM539			
32A	Pulley for wire if used	1		Riley RM310			
32B	Pulley for cord if used	1		Riley RM801			
33	Double Pulley	1		Riley RM802			
34	Pulley	2		Riley RM801			
35	Vang wire if used	1	Approx 1.2m x 2mm flexible SS wire				High strength low-stretch cord may be used in lieu of wire.
36-40	Spare numbers						

Item	Use/Description	Units	Part No		Fixings Quantity	Fixing Type	Remarks
			Ronstan	Other Suppliers			
<b>HULL</b>							
41	Bow chain plate	1	RF488		4	30mm x 8 pan head SS self tappers	
42	<i>Deleted Mar 2000</i>						
43	Port & Starboard Chain plates	2	RF488	RM 116	6	30mm x 8 g pan head SS ST screws	
44	Inspection ports (min. diam. 115mm)	3 or 4	RF530 or PNP96	Nairn N2-5" Riley RM190	18/24	12mm x 5/32" CS SS bolts	Screws may be used if cutout for hatch is strengthened with backing plate
	For FRP hulls	4	RF530 or PNP96	Nairn N2-5" Riley RM190	48	12mm x 5/32" CS SS bolts	
45	Drain plugs	3	RF294		4	12mm x 6 g CS SS ST screws	
46	Self bailer (min)	1 Min		Riley RM179	6 or 12	SS bolts & nuts	
47	Deck clips 2 each side centre case, 2 under thwart supporting toe straps	4	RF498		8	12mm x 6 g CS SS ST screws	
48	Cleat (for rope hawse)	1	RF5000 or RF5106	ClamCleat CL211Mk1	2	25mm x 8	SS self tappers
	Deck bush for hawse	2		Riley RM166			Glue in with epoxy
49	Toe strap plates	4	RF27		8	25mm x 8 gauge	Binding head SS self tappers
50	Rudder pintles	2	RF2515	Goldspar G5	4	40mm x 3/16" RH bolts, nuts & washers	Use SS plates as backing on transom
51	Rudder gudgeons	2	RF2503	Goldspar G66	4	19mm x 8 g SS ST & 12mm x 8 g SS ST screws	Thru bolt recommended for front fixing
52	Pin (to fit pintle)	1	RF413				SS 'key ring' or "P" clip
54	Tiller extension universal joint	1	RF1127 or RF1121	Riley PYF205	2	30mm x 3/16" RH SS metal threads	
55	Aluminium tube, Class B PVC elec conduit, or commercial extension	1	RF3127, RF3132	Riley PYF211C or PYF211D	2	25mm x 3/16" RH SS metal threads	
56	Tiller retaining clip	1	RF1135	Riley RM155	2	SS ST screws	
57	<i>Deleted</i>						
58	Shock cord - centreboard retainer - toe strap supports - rudder retainer	Approx. 2.0 m					
59	Toe strap webbing	To suit		50mm wide			
60	Cleats – outhaul – downhaul - vang	6	RF5000 or RF5106	Clam cleat CL211Mk2 Riley RM172 Riley RM161	12	12mm x 8 g SS ST Screws	
61	Pulleys (Option 3)	6	RF666	Riley RM801			
62	Saddles (Option 3)	6	RF498	Riley RM572	12	12mm x 8g SS ST screws	
63	<i>Spare number</i>						
64	<i>Spare number</i>						
<b>MAINSHEET SYSTEM</b>							
65	Base plate - main sheet system	1	RF415	Riley RM345	4	30mm x 10 g SS ST screws	
66	Ratchet block	1	RF42100	Harken HK2135 Riley PYF950			
67	Block - ferrule with becket (rope hawse)	1	RF40110	Harken HK2637 Riley PYF601			5:1 purchase requires a fiddle block in lieu of 1 x 67A
67A	Block - basic	2	RF40101 or RF40100	Harken HK2651 Riley PYF600			
68	Halyard cleat - metal clam cleat	1		Clam cleat CL211Mk2	2	50mm x 8 CS SS ST screws	
68A	OR Halyard lock	1	RF191	Riley RM91			
69	Rope Hawse	1.5 m					6mm low-stretch cordage
70	Mainsheet cordage – 10mm polyester	5 metres					6.5 m for 5:1 purchase